



MF 500

Trailed vacuum meter planter



BORN TO FARM

Trailed Vacuum Meter Planter

Precision planting, 4 - 15 Rows

With 9 different models, the MF 500 planter series provides the best versatility for you to choose the best solution for your crop. With a large pneumatic box, it increases the working capacity to up to 20%. There are fewer greasing points giving you more time in the field. With a robust mono-block chassis and shielded bearings, the MF 500 is the best option for delivering unparalleled results.



MF 500 Rows

The MF 500 Series Planters are fitted with new seed hoppers with 20% more capacity compared to the older models. In addition to the increased capacity seed is gravity feed from the main seed hopper to the mini hoppers mounted on the row unit. This system does away with the individually mounted seed hopper on the row unit.

The new models of the MF 500 Series Planters allows for interference free row unit (standard). The distance between the Fertilizer Hopper and Seed Hopper has been increased to allow for refilling.

The 500 Series is fitted with parallel linkage that has maintenance free bushes eliminating lubrication points. The row units are fitted with sealed bearings.

The 500 Series row unit adjustment points are easily accessible. The metering unit is driven via cable drive.



Residue Management Options

To ensure quality of planting optimum trash management is essential. The trash management system on the MF 500 are unrestricted which allows for high rates of trash flow.

- **20" Smooth:** Lower penetration force, higher durability.



Spring Pressure

Front mounted spring for down pressure adjustment.



Soil Engagement

The soil engaging disc options are smooth discs of 20" facilitating the flow of trash.



Two Fertilizer Application Options

Auto reset tine, Double Disc Opener

Fertilizer System

Massey Ferguson offers a wide range of options that work on various soil types or correct fertilizer placement.

- **Autoreset Tine:** For breaking slightly compacted ground, with the addition of stones or other obstacles ensuring greater root formation.
- **Double Disc:** Lower horse power required, suitable for heavy trash conditions.



Auto reset tine



Double Disc

Fertilizer Metering Unit

For proper plant development, the MF 500 series machines are equipped with Fertisystem fertilizer Distributor, that ensures greater accuracy in fertilizer distribution that ensures greater accuracy in fertilizer placement. Provides distribution of fertilizer along the planting row, transporting the same amount, regardless of the crop cycle and topographic variations. The fertilizer is activated by the auger, self-cleaning and floating, and conducted to a damming chamber. Afterwards, it overflows in uniform and homogeneous volumetric quantities, through the level regulator, to the discharge point, from this, to the ground. In addition, the Fertisystem is equipped with highdurability maintaince free bearings.



Hopper Displacement

Fertilizer hopper can be tilted for cleaning and maintenance.



Fertilizer Hoppers

Fertilizer Hoppers are made from anti corrosive material polymeric, that ensures a longer service life of the components. The design facilitates full product flow and the external mounting of hardware, prevents direct contact of the product.



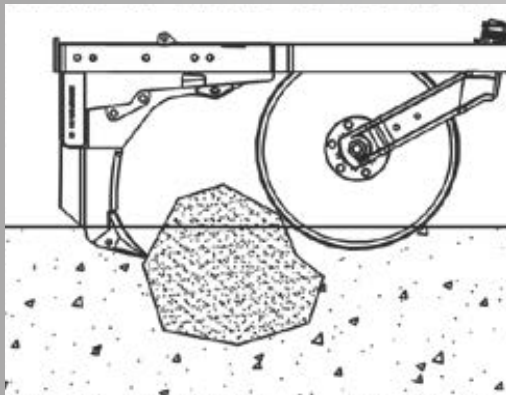
Fertilizer Distribution System

The precision metering of the fertilizer ensures that the correct amount is applied to the crop, ensuring high germination and uniform development of crops with more practicality, precision, efficiency and economy.

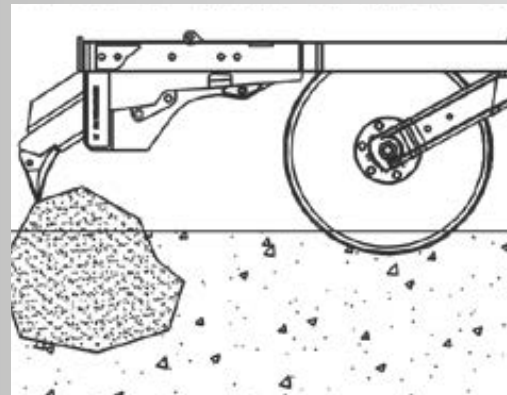
Auto-reset Tine

The ultimate technology that ensures greater agility when planting, reducing the number of stops, in addition to protection, guarantees the durability of the machines components and operator safety. As much as its construction is somewhat complex, the principle of its operation is quite simple. The Auto-Reset tine is mounted with maximum under-beam clearance to the soil, allowing optimal performance in the most severe planting conditions.

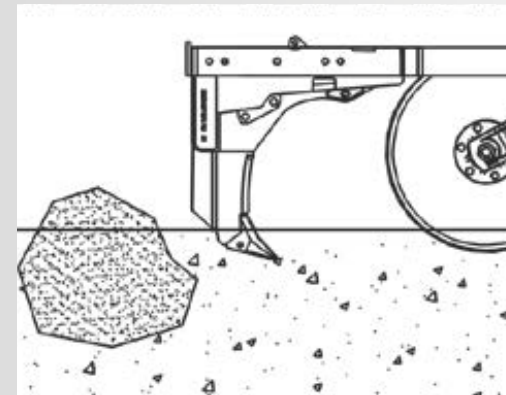
There is an option of a double disc for heavy trash management.



While operating in normal soil conditions the auto-reset tine works normally.



Once the auto-reset tine hits an obstacle it will trip allowing the tine to ride over the obstacle.



Once the tine has cleared the obstacle it returns to the normal working position automatically. The whole process takes place without the operator leaving the tractor.

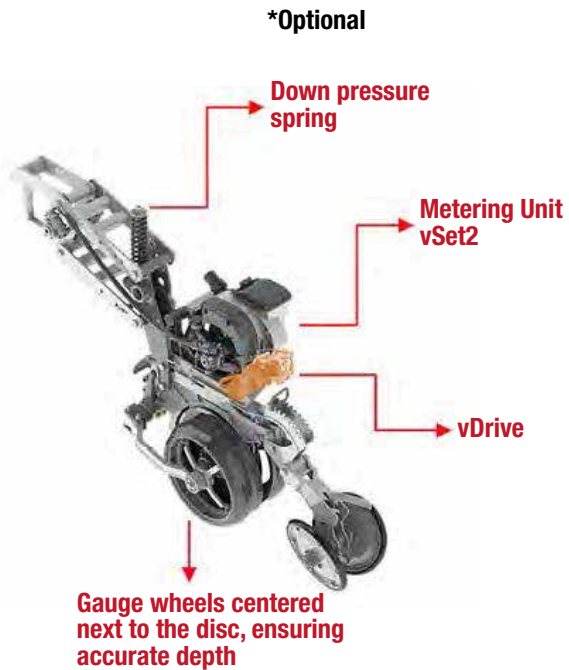
NOTE: The trip mechanism is designed to trip to the rear of the machine avoiding any disruption to the fertilizer distribution, significantly improving emergence and germination.

Row unit parallel linkage

Excellent Singulation

With the Parallel Linkage being wide the row unit maintains soil contact even in the toughest conditions. The transmission, by means of chains and sprockets, allows articulation of the row unit. Bushes are maintenance free and are sealed. There are no greasing points. Quick lever adjustment of the down pressure spring. The machine is fitted with a row unit locking system which eliminates dismantling of the Row Unit.

There are two types of single bar which is less precise, but costs less and the parallel linkage (Recommended) which follows the soil contours resulting in better seed to soil contact.





Precision Planting

Incomparable Results

Technology evolves and Massey Ferguson follows every step to present the latest to the farmer / producer. To Simplify planting and increase productivity, the new Precision Planting meters were installed. The new vSet2 metering system delivers more than 99% singulation, resulting in unmatched productivity with any seed size and shape. The flat disc with single vacuum configuration releases the seeds and the fivepointed singulator ensures that there is no doubles in the same hole. Assertiveness in planting, guarantee of perfect harvest. .

 Precision Planting



vSet2



Perfect Singulation

vSet uses a flat disc, meaning that it doesn't have a cell that likes a certain seed size. The flat disc with a hole doesn't care what size seed it is working with. The flat disc combined with a singulator that is riding on the edge of the disc and knocks off extra seeds, means that singulation accuracy in corn & soybeans will be over 99% without adjustments to vacuum, disc, or singulator.



Aggressive Seed Shake

The vSet churns gently to agitate the seeds inside and get them settled into their groove.



Perfect extraction and release

vSet features a flat disc with a single vac setting. It releases seeds down the center of the tube – critical to optimum spacing. It also has a floating, 5-lobed singulator that makes sure no two seeds of any kind can occupy the same hole. One seed locks in and one seed drops. Every time. To ensure each pocket on the disc gets filled.



Optional Planter Monitor: Integrated data systems

20/20 can be utilized as a monitor to help you simple set the planter to maximize planter performance in each crop, each day of planting. That same 20/20 also powers the most agronomically advanced systems on the market that control population, down force, liquid, multi-hybrid planting and high speed planting, all while sensing the furrow. 20/20 does all this and more to allow you to not only have the accurate data to make those crucial decisions, but also gives your equipment the powerful automation to make decisions as it passes through the field, optimizing every pass.



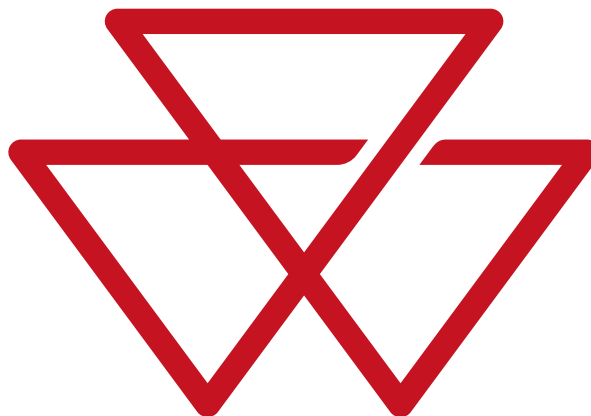
Optional Population Control: Auto Row Shut Off

Maintenance free electric drive system. Seed with row shut off vDrive allows the seed meter to turn off at a boundary or where you have already planted. Get the population right on curves With vDrive on your planter each meter turns the speed that matches the speed of that row unit, so the plant population is correct on each row of the planter.

Specifications

Models	Rows	Row Spacing (cm)	Working Width (m)	Maximum Seed Capacity (kg)	Maximum Fertilizer Capacity (kg)	Minimum Recommended Power hp (kW)*
MF 508 - 4	4	90	3.6	260	932	60 (45)
MF 508 - 8	8	45	3.6	520	932	120 (89)
MF 510 - 6	6	75	4.5	390	1,420	90 (67)
MF 511 - 6	6	90	5.4	390	1,420	90 (67)
MF 511 - 11	11	45	4.9	715	1,420	165 (123)
MF 512 - 12	12	45	5.4	780	1,642	180 (134)
MF 513 - 8	8	75	6.0	520	1,642	120 (89)
MF 515 - 8	8	90	7.2	520	1,864	120 (89)
MF 515 - 15	15	45	6.7	975	1,864	225 (168)





MASSEY FERGUSON



Web: www.masseyferguson.com/en_za

Facebook: www.facebook.com/MasseyFergusonSA

Twitter: [Twitter.com/MF_EAME](https://twitter.com/MF_EAME)

Instagram: [Instagram.com/MasseyFergusonGlobal](https://www.instagram.com/MasseyFergusonGlobal)

YouTube: www.YouTube.com/MasseyFergusonGlobal

Blog: Blog.MasseyFerguson.com

AGCO South Africa Marketing

16 Pomona Road, Kempton Park, Gauteng, 1619



Your Agriculture Company © AGCO South Africa. 2021 | 17362 | English